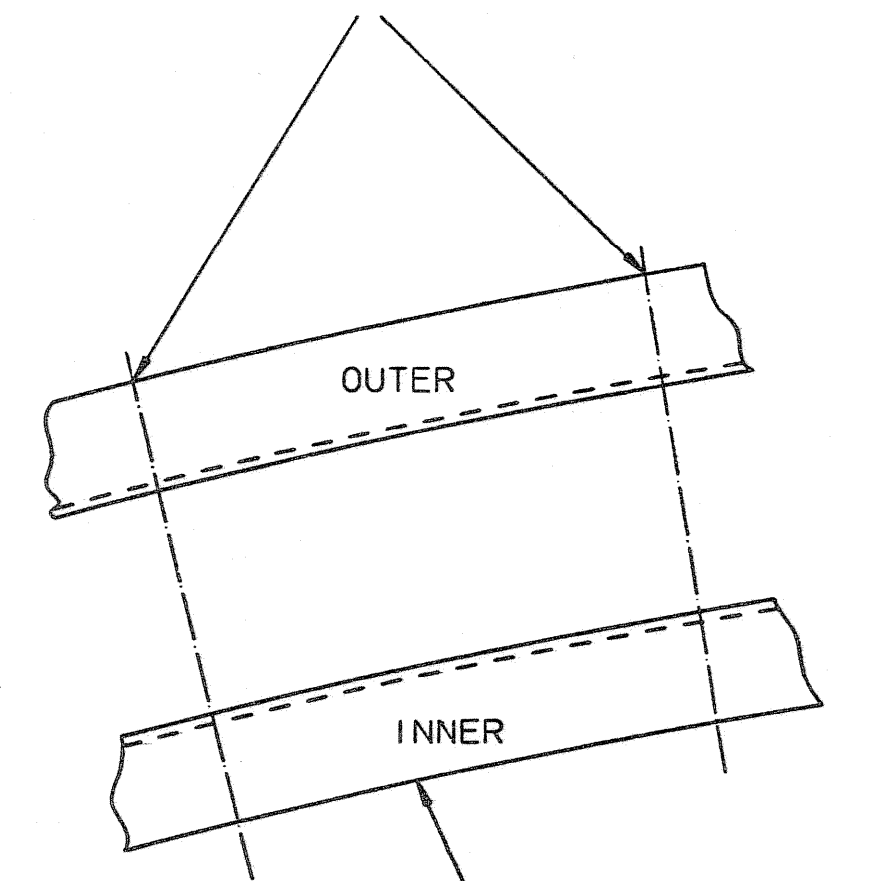
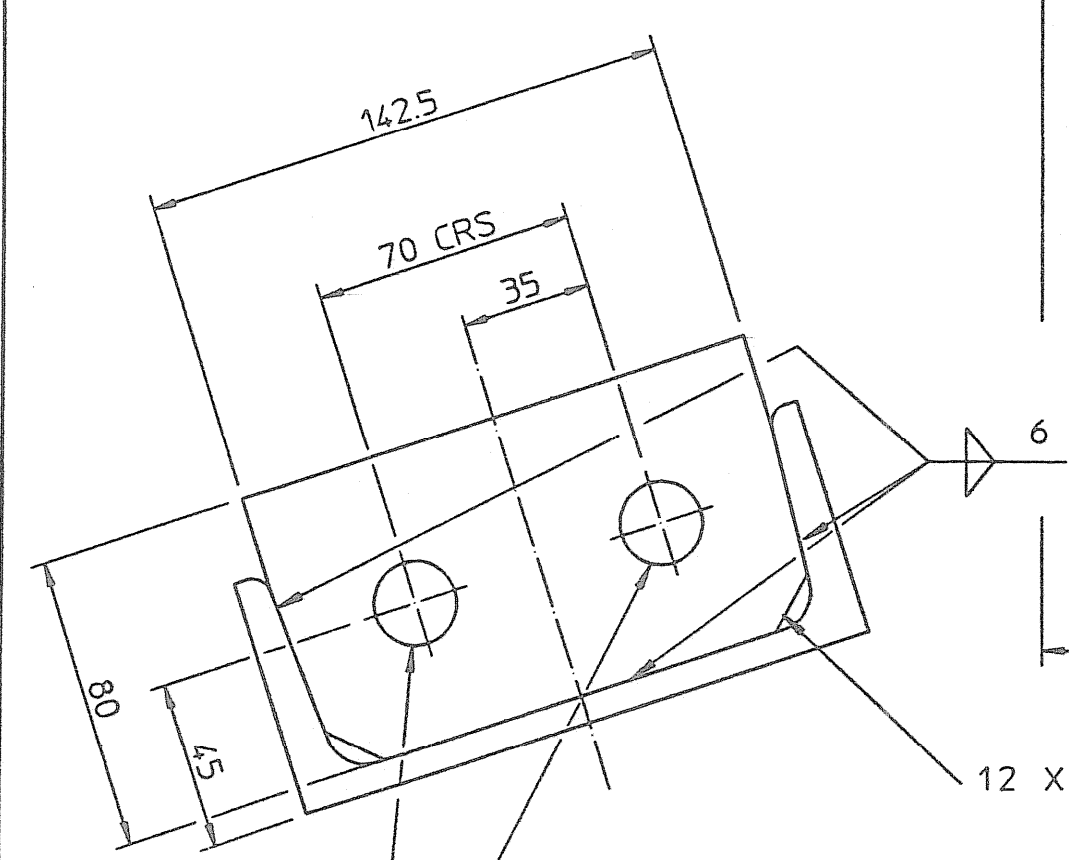
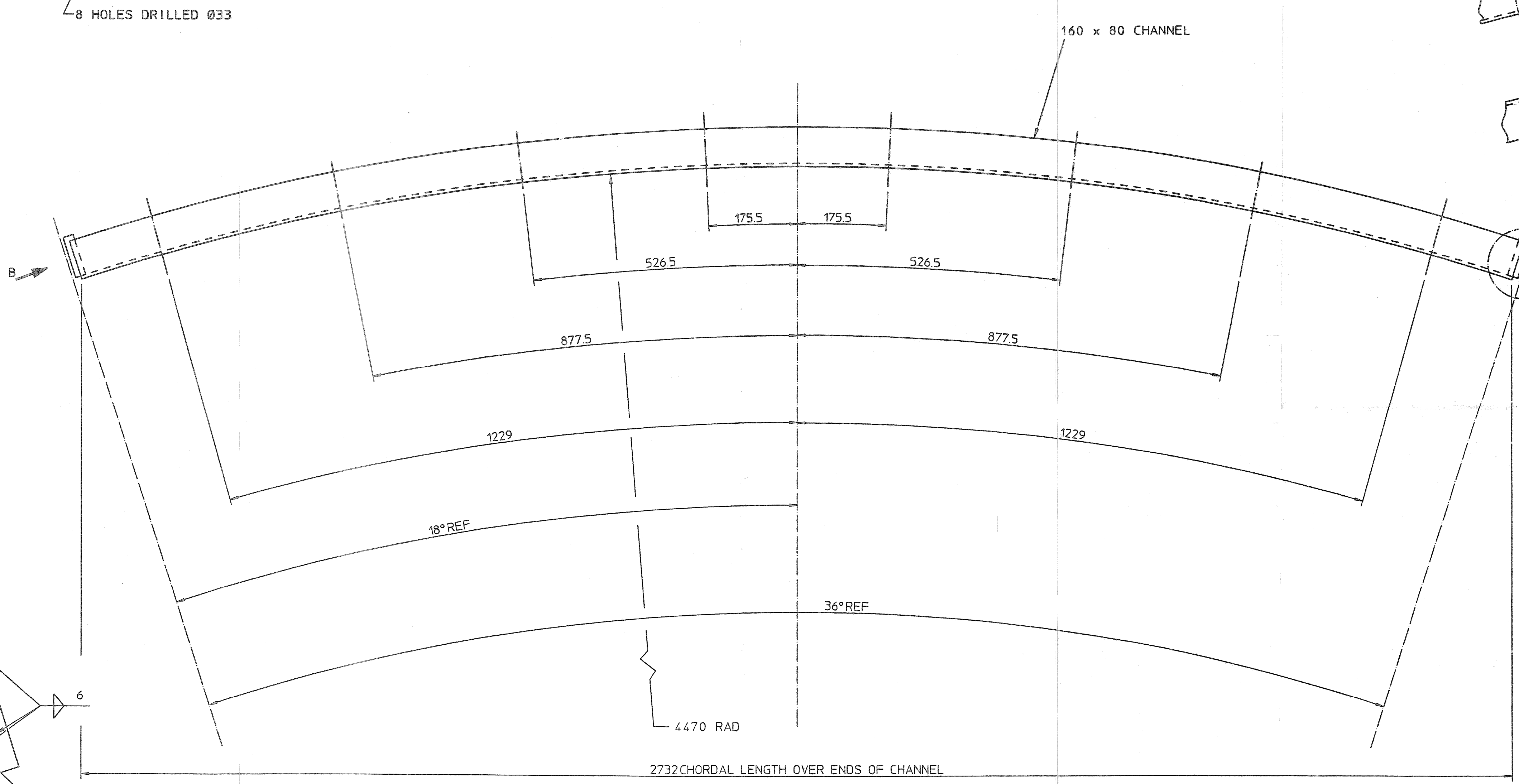


NOTE
 Ø 33 HOLES TO BE DRILLED
 TO MATCH INNER CHANNEL
 ON TRUE RADIAL CENTRE LINES.

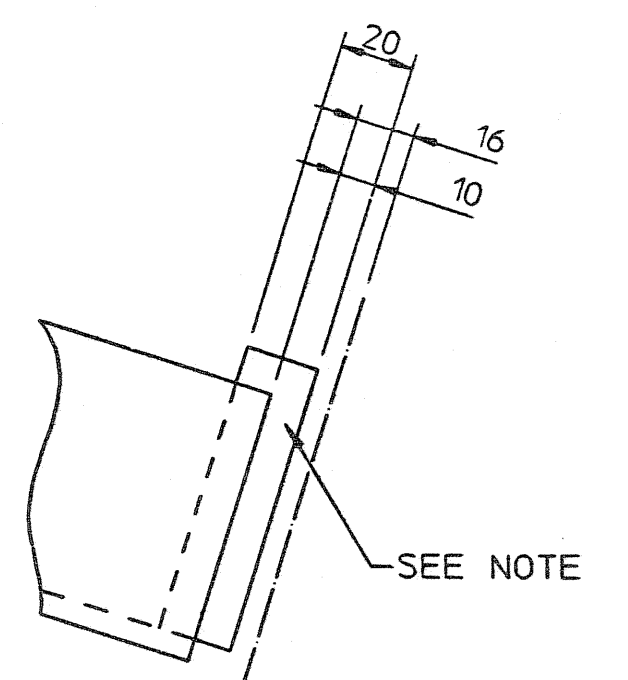


REF DRG No 602377



VIEW ON ARROW B
 VIEW ON ARROW C SIMILAR
 (SCALE 1:2)

2 HOLES DRILLED Ø22.5



DETAIL A
 TYP BOTH ENDS
 SCALE (1:2)

- NOTES:
1. ROLL ONE PAIR OF CHANNELS AND CHECK HOLE POSITIONS BEFORE MAKING BATCH.
 2. MAKE FROM STEEL, GRADE- DIN 17100 ST 37.2.
 3. WELDS TO CONFORM TO CONTRACT SCHEDULE.
 4. HARDMARK WHERE SHOWN THIS

ISSUE			ISSUE			ISSUE			ISSUE			ISSUE			ISSUE		
DRAWN	CHECKED	APPROVED	DRAWN	CHECKED	APPROVED	DRAWN	CHECKED	APPROVED	DRAWN	CHECKED	APPROVED	DRAWN	CHECKED	APPROVED	DRAWN	CHECKED	APPROVED
DATE	DATE	DATE	DATE	DATE	DATE	DATE	DATE	DATE	DATE	DATE	DATE	DATE	DATE	DATE	DATE	DATE	DATE

UNLESS OTHERWISE SPECIFIED, IDENTIFY THE ITEM WITH THE DRAWING NUMBER AND ISSUE LEVEL AT 10° AND IN THE MANNER SHOWN. SYMBOL STANDARDS	MATERIAL AND CONDITION BEFORE MANUFACTURE	CLASSIFICATION
FIRST ISSUE	MATL. SEE NOTES	
	SPEC.	
	GRADE	
	NOTES	
MASS 55 kg	SCALE 1:5	STATUS APPROVED

UNLESS OTHERWISE STATED DIMENSIONS ARE IN MILLIMETRES.			
TOLERANCES, UNLESS OTHERWISE STATED (PLUS OR MINUS)	RANGE	MACH	FAB
	0-500	0.25	2
	501-1000	0.5	3
	1001-2000	1.0	4
	ABOVE 2000	2.0	6
			10

Strachan & Henshaw Ltd.
 ASHTON HOUSE, PO BOX 103, ASHTON VALE ROAD, BRISTOL, BS99 7TJ, ENGLAND.
 TELEPHONE (0117)9664677, TELEX 44170, FACSIMILE (0117)9662605.

TITLE: **DETAIL OF OUTER CHANNEL**

PART NUMBER: P101931

DRAWING NUMBER: 602434

SHEET 1 OF 1

ISSUE A