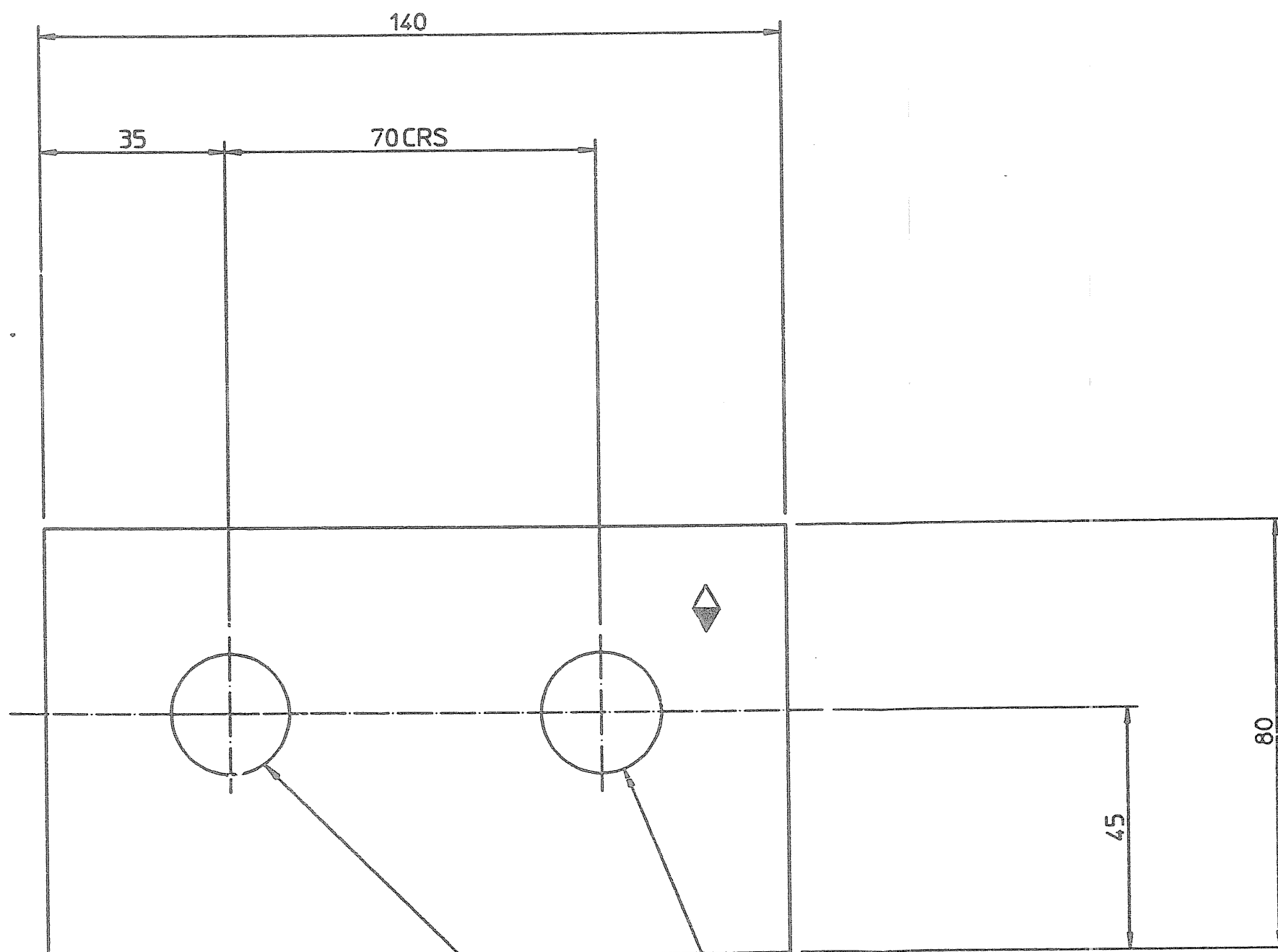
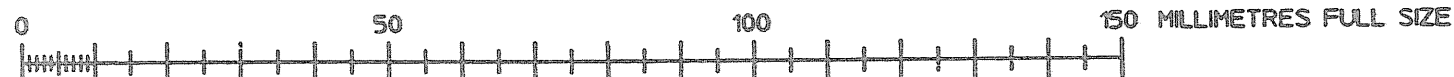


CLASSIFICATION



2 HOLES Ø22 DRILL

PACKING SET
COMPRISING-

5 OFF	0.8 THICK
5 OFF	1.6 THICK

NOTES

1. REMOVE ALL BURRS AND SHARP EDGES
2. MATL- STEEL TO DIN 17100 ST 37.2
3. BAG & LABEL.

ISSUE 			ISSUE 			UNLESS OTHERWISE SPECIFIED, IDENTIFY THE ITEM WITH THE DRAWING NUMBER AND ISSUE LEVEL AT AND IN THE MANNER SHOWN. SYMBOL STANDARDS	MATERIAL AND CONDITION BEFORE MANUFACTURE	CLASSIFICATION	Strachan & Henshaw Ltd. ASHTON HOUSE, PO BOX 103, ASHTON VALE ROAD, BRISTOL, BS99 7TJ, ENGLAND. TELEPHONE (0117)9664677. TELEX 44170. FACSIMILE (0117)9662605.	
FIRST ISSUE							MATL. SEE NOTES	All rights conferred by law or by international convention in this drawing and the design of the article depicted are reserved. This drawing and the design may also incorporate information which is confidential. Reproduction of the drawing and design and use and disclosure of the confidential information is prohibited, save as agreed by Strachan & Henshaw Limited or permitted by law.		
							SPEC.			UNLESS OTHERWISE STATED DIMENSIONS ARE IN MILLIMETRES. TOLERANCES, UNLESS OTHERWISE STATED (PLUS OR MINUS) RANGE MACH FAB CAST 0- 500 0.25 2 2 501-1000 0.5 3 4 1001-2000 1.0 4 6 ABOVE 2000 2.0 6 10
							GRADE			
NOTES										
DRAWN	CHECKED	APPROVED	DRAWN	CHECKED	APPROVED	MASS 1.0 kg	SCALE 1:1	STATUS APPROVED	TITLE DETAIL OF PACKING SET	
DATE	DATE	DATE	DATE	DATE	DATE				PART NUMBER P101925	
			23/09/1996	30/09/1996	30/09/1996				DRAWING NUMBER 602386	
									SHEET OF ISSUE 1 1 A	