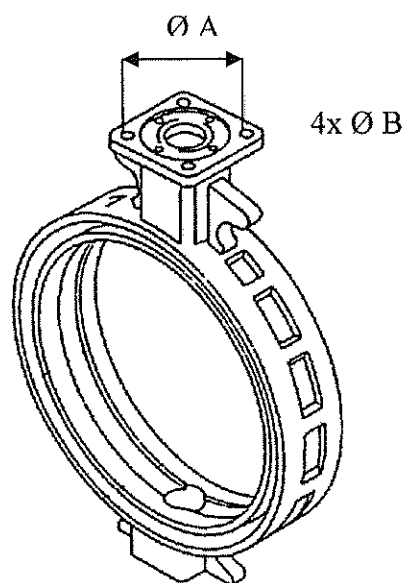
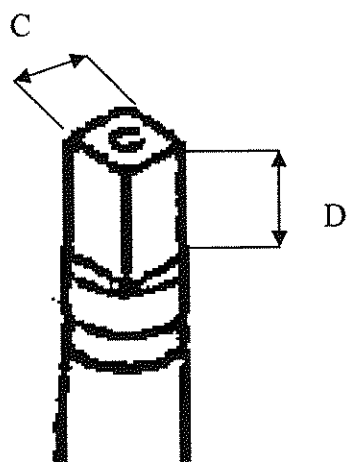


Фигура 1



Фигура 2



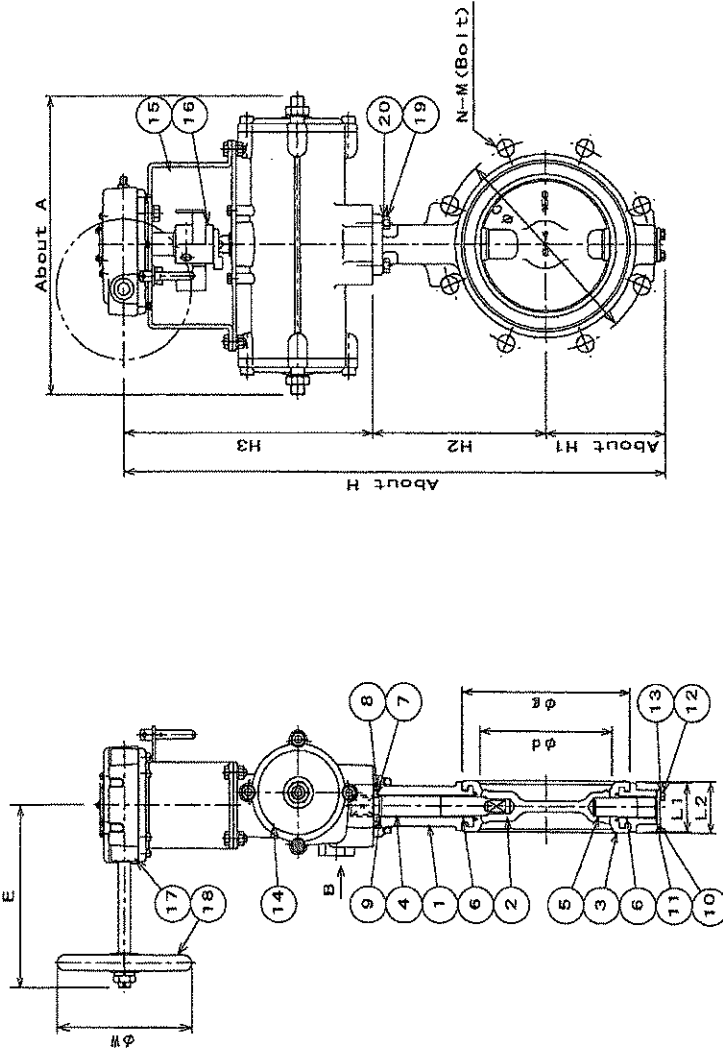
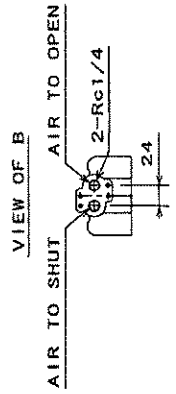
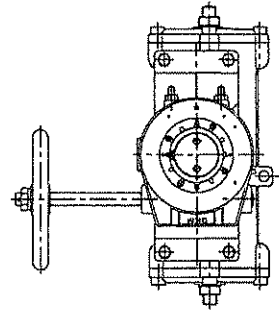


製 品 番 号 MFG. NO.	名 稱 及 形 式 NAME AND TYPE		材 質 MATERIAL	数 量 Q. TY	備 考 REMARKS
	MODEL 612X (80A~150A)	BUTTERFLY VALVE WITH PNEUMATIC CYLINDER			
	Type C				
部 品 番 号 PARTS NAME	材 質 MATERIAL	数 量 Q. TY	備 考 REMARKS		
1 BODY	FCD450	1			
2 DISC	SCS14	1			
3 SEAT RING	EPDM	1			
4 UPPER STEM	SUS316	1			
5 LOWER STEM	SUS316	1			
6 BUSH	PLASTIC	1set			
7 NECK BUSH	PLASTIC	1			
8 SCREW	SUS304	4			
9 O-RING	NBR	1			
10 COVER	SPCC	1	PLATED		
11 GASKET	NBR	1			
12 COVER BOLT	SUS304	2			
13 SPRING WASHER	SUS304	2			
14 CYLINDER		1			
15 YOKE	SS400	1	PLATED		
16 JOINT	SS400	1	PLATED		
17 GEAR BOX	FC250	1			
18 HAND WHEEL	FC250	1			
19 BOLT	SWRCH	4	PLATED		
20 SPRING WASHER	SWRH	4	PLATED		
21					
22					
23					
24					
25					
日 付 DATE	MAR. 15, 2005	尺 寸 SCALE	FREE		
保 用 圧 力 WORKING PRESSURE	Max 0.5/1.0 MPa	使 用 温 度 WORKING TEMP.	*1:0~70℃ *2:0~120℃		
耐 圧 試 験 SHELL TEST	1.5 MPa	試 験 流 体 TEST FLUID	WATER		
弁 座 試 験 SEAT TEST	0.56/1.1 MPa	許 容 漏 失 LEAKAGE	0 %		
作 成 DRAWN	檢 査 CHECKED	認 可 APPROVED			
OKM			株式会社 小久保工機 OKUMURA ENGINEERING CORP.		
圖 面 番 号 DRAWING NO.	612X CA 0967 EA	F.L.O.P. No.	Hd-1an975		

SIZE	d	L1	L2	φ	H	H1	H2	H3	A	E	W	CYLINDER SIZE	GEAR SIZE	WEIGHT (APPROX)
80A	84	46	49	115	465.5	89	155	221.5	236	141	100	TA2MG-063DL	4kg・m	8.6kg
✓ 100A	100	52	55	136	494.5	106	167	221.5	236	141	100	TA2MG-063DL	4kg・m	9.5kg
125A	130	56	59	167	562.5	123	187	252.5	276	182	125	TA2MG-080DL	8kg・m	16.9kg
✓ 150A	154	56	59	196	634.5	138	202	294.5	342	211	160	TA2MG-100DL	16kg・m	23.0kg

SIZE	ANSI125Lb/150Lb		
	C	N	M
80A	152.5	4	5/8-11UNC
100A	190.5	8	5/8-11UNC
125A	216	8	3/4-10UNC
150A	241.5	8	3/4-10UNC

SIZE	Tag No
100A	01HT151AA411 02HT151AA411 12HT085AA411
150A	12HT085AA412 12HT085AA413



△ : APR. 8. 2005  
 ☆ MARKS ARE EXTRA

品番 MFG. NO.	品名 PARTS NAME	材質 MATERIAL	数量 QTY	備考 REMARKS
1	BODY	FCD450	1	
2	DISC	SCS14	1	
3	SEAT RING	EPDM	1	
4	UPPER STEM	SUS316	1	
5	LOWER STEM	SUS316	1	
6	BUSH	PLASTIC 1set		
7	NECK BUSH	PLASTIC 1		
8	SCREW	SUS304	4	
9	O-RING	NBR	1	
10	COVER	SS400	1	PLATED
11	GASKET	NBR	1	
12	COVER BOLT	SUS304	4	
13	SPRING WASHER	SUS304	4	
14	CYLINDER		1	
15	YOKE	SS400	1	PLATED
16	JOINT	SS400	1	PLATED
17	GEAR BOX	FC250	1	
18	HAND WHEEL	FC250	1	
19	STUD BOLT, NUT	SGD SWRCH	4	PLATED
20	SPRING WASHER	SWRH	4	PLATED
21				
22				
23				
24				
25				

品番 MFG. NO.	品名 PARTS NAME	材質 MATERIAL	数量 QTY	備考 REMARKS
1	BODY	FCD450	1	
2	DISC	SCS14	1	
3	SEAT RING	EPDM	1	
4	UPPER STEM	SUS316	1	
5	LOWER STEM	SUS316	1	
6	BUSH	PLASTIC 1set		
7	NECK BUSH	PLASTIC 1		
8	SCREW	SUS304	4	
9	O-RING	NBR	1	
10	COVER	SS400	1	PLATED
11	GASKET	NBR	1	
12	COVER BOLT	SUS304	4	
13	SPRING WASHER	SUS304	4	
14	CYLINDER		1	
15	YOKE	SS400	1	PLATED
16	JOINT	SS400	1	PLATED
17	GEAR BOX	FC250	1	
18	HAND WHEEL	FC250	1	
19	STUD BOLT, NUT	SGD SWRCH	4	PLATED
20	SPRING WASHER	SWRH	4	PLATED
21				
22				
23				
24				
25				

品番 MFG. NO.	品名 PARTS NAME	材質 MATERIAL	数量 QTY	備考 REMARKS
1	BODY	FCD450	1	
2	DISC	SCS14	1	
3	SEAT RING	EPDM	1	
4	UPPER STEM	SUS316	1	
5	LOWER STEM	SUS316	1	
6	BUSH	PLASTIC 1set		
7	NECK BUSH	PLASTIC 1		
8	SCREW	SUS304	4	
9	O-RING	NBR	1	
10	COVER	SS400	1	PLATED
11	GASKET	NBR	1	
12	COVER BOLT	SUS304	4	
13	SPRING WASHER	SUS304	4	
14	CYLINDER		1	
15	YOKE	SS400	1	PLATED
16	JOINT	SS400	1	PLATED
17	GEAR BOX	FC250	1	
18	HAND WHEEL	FC250	1	
19	STUD BOLT, NUT	SGD SWRCH	4	PLATED
20	SPRING WASHER	SWRH	4	PLATED
21				
22				
23				
24				
25				

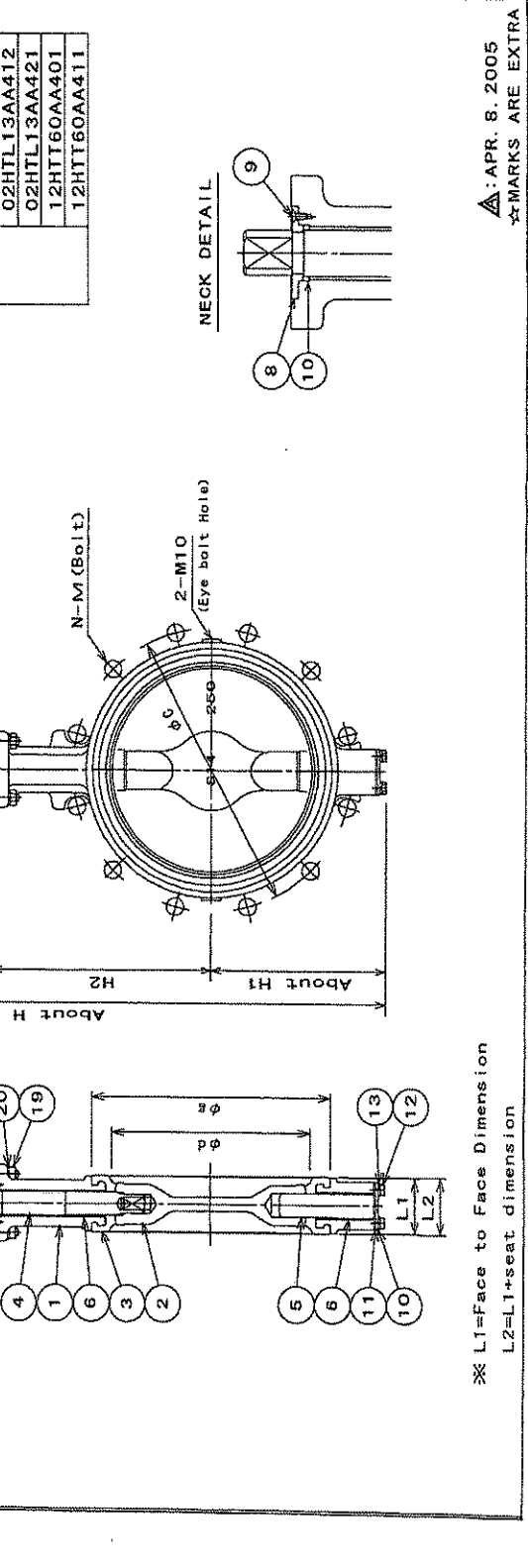
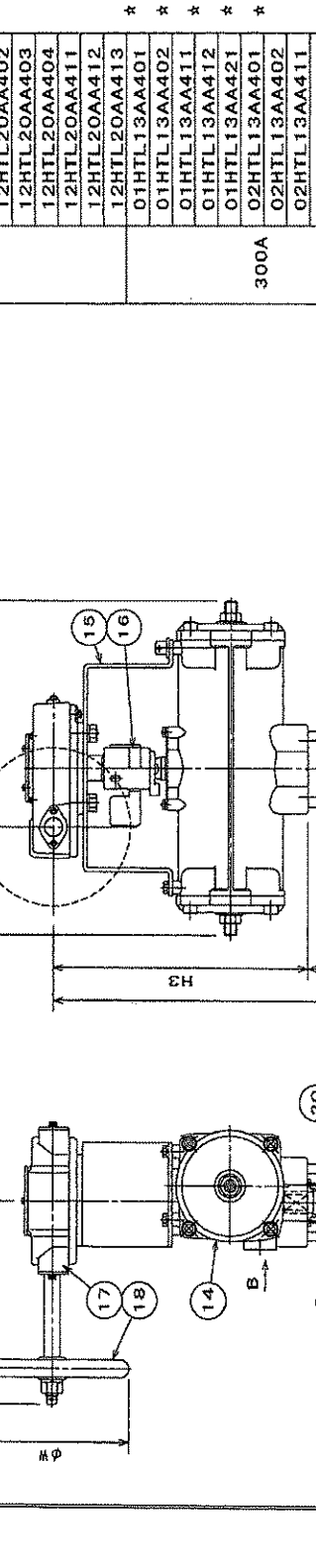
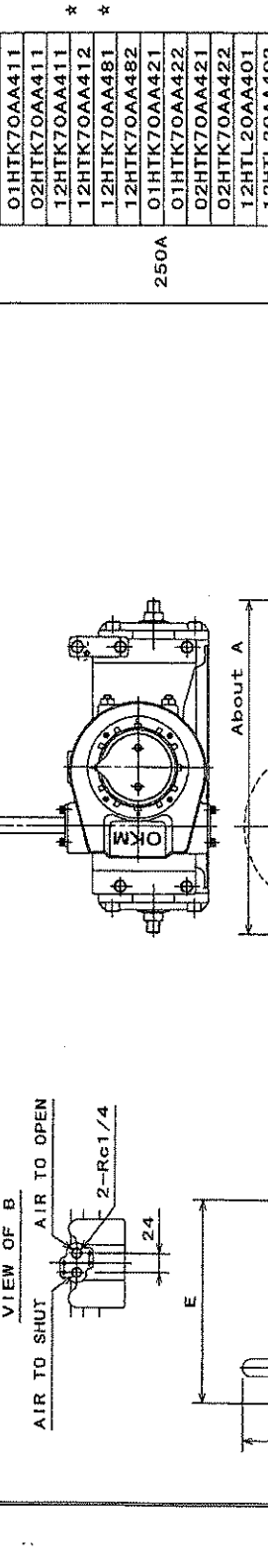
品番 MFG. NO.	品名 PARTS NAME	材質 MATERIAL	数量 QTY	備考 REMARKS
1	BODY	FCD450	1	
2	DISC	SCS14	1	
3	SEAT RING	EPDM	1	
4	UPPER STEM	SUS316	1	
5	LOWER STEM	SUS316	1	
6	BUSH	PLASTIC 1set		
7	NECK BUSH	PLASTIC 1		
8	SCREW	SUS304	4	
9	O-RING	NBR	1	
10	COVER	SS400	1	PLATED
11	GASKET	NBR	1	
12	COVER BOLT	SUS304	4	
13	SPRING WASHER	SUS304	4	
14	CYLINDER		1	
15	YOKE	SS400	1	PLATED
16	JOINT	SS400	1	PLATED
17	GEAR BOX	FC250	1	
18	HAND WHEEL	FC250	1	
19	STUD BOLT, NUT	SGD SWRCH	4	PLATED
20	SPRING WASHER	SWRH	4	PLATED
21				
22				
23				
24				
25				

品番 MFG. NO.	品名 PARTS NAME	材質 MATERIAL	数量 QTY	備考 REMARKS
1	BODY	FCD450	1	
2	DISC	SCS14	1	
3	SEAT RING	EPDM	1	
4	UPPER STEM	SUS316	1	
5	LOWER STEM	SUS316	1	
6	BUSH	PLASTIC 1set		
7	NECK BUSH	PLASTIC 1		
8	SCREW	SUS304	4	
9	O-RING	NBR	1	
10	COVER	SS400	1	PLATED
11	GASKET	NBR	1	
12	COVER BOLT	SUS304	4	
13	SPRING WASHER	SUS304	4	
14	CYLINDER		1	
15	YOKE	SS400	1	PLATED
16	JOINT	SS400	1	PLATED
17	GEAR BOX	FC250	1	
18	HAND WHEEL	FC250	1	
19	STUD BOLT, NUT	SGD SWRCH	4	PLATED
20	SPRING WASHER	SWRH	4	PLATED
21				
22				
23				
24				
25				

DATE: MAR. 15, 2005  
 WORKING PRESSURE: Max 0.5/1.0 MPa  
 SHELL TEST: 1.5 MPa  
 SEAT TEST: 0.55/1.1 MPa  
 SCALE: FREE  
 WORKING TEMP.: 0~120 °C  
 TEST FLUID: WATER  
 LEAKAGE: 0 %  
 DRAWN: [Signature]  
 CHECKED: 7/11  
 APPROVED: [Signature]  
 OKM 株式会社オケエム  
 OKUMURA ENGINEERING CORP.  
 DRAWING NO. 612X CA 0969 EA  
 FLDP. No. Hd-18r975

SIZE	d	L1	L2	ø	H	H1	H2	H3	A	E	W	CYLINDER SIZE	GEAR SIZE	WEIGHT (APPROX)
√ 250A	246	68	71	300	833.5	223	280	330.5	420	255	200	TA2MG-125DL-F10	63kg · m	48KG
√ 300A	295	78	81	346	944.5	260	310	374.5	506	335	315	TA2MG-160DL-F12	63kg · m	77KG

SIZE	C	N	M
250A	362	12	7/8-9UNC
300A	432	12	7/8-9UNC



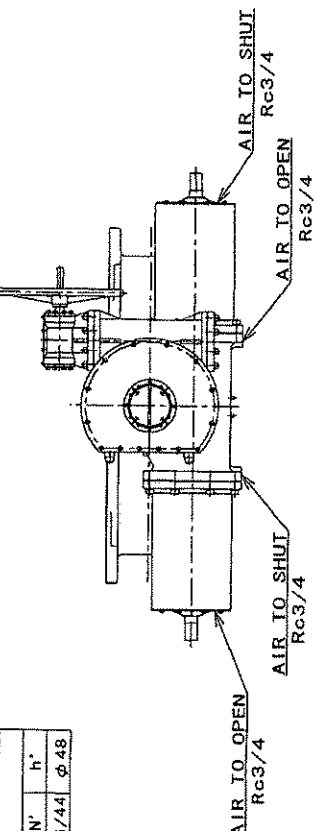
NECK DETAIL  
 8  
 9  
 10  
 N-M (Bolt)  
 2-M10 (Eye bolt hole)  
 15  
 16  
 About A  
 About H1  
 About H2  
 About H3  
 About H  
 20  
 19  
 13  
 12  
 5  
 6  
 11  
 10  
 4  
 1  
 6  
 3  
 2  
 17  
 18  
 14  
 B  
 E  
 24  
 2-Rc1/4  
 AIR TO SHUT  
 AIR TO OPEN  
 ※ L1=face to face dimension  
 L2=L1-seat dimension  
 APR. 8, 2005  
 ☆ MARKS ARE EXTRA

SIZE	AD	L1	L2	E	H	H1	H2	H3	J	K	T	A1	A2	B	W	CYLINDER GEAR SIZE	WEIGHT (APPROX)
1300A	1294	1626	381	386	1365	3184	923	932	300	70	51	629.5	214	418	590	HT-330/30-2500	2520kg

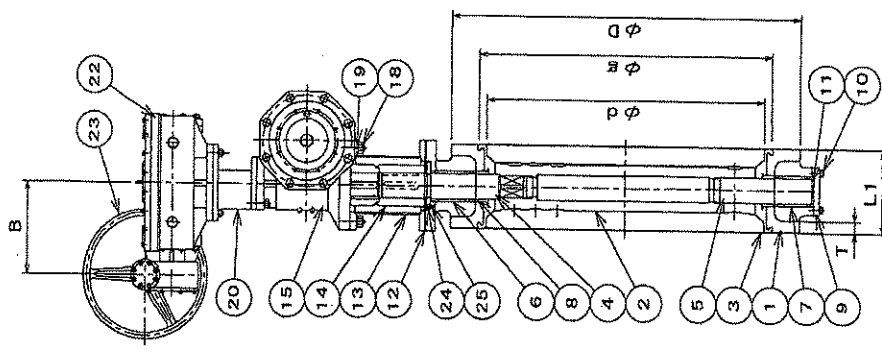
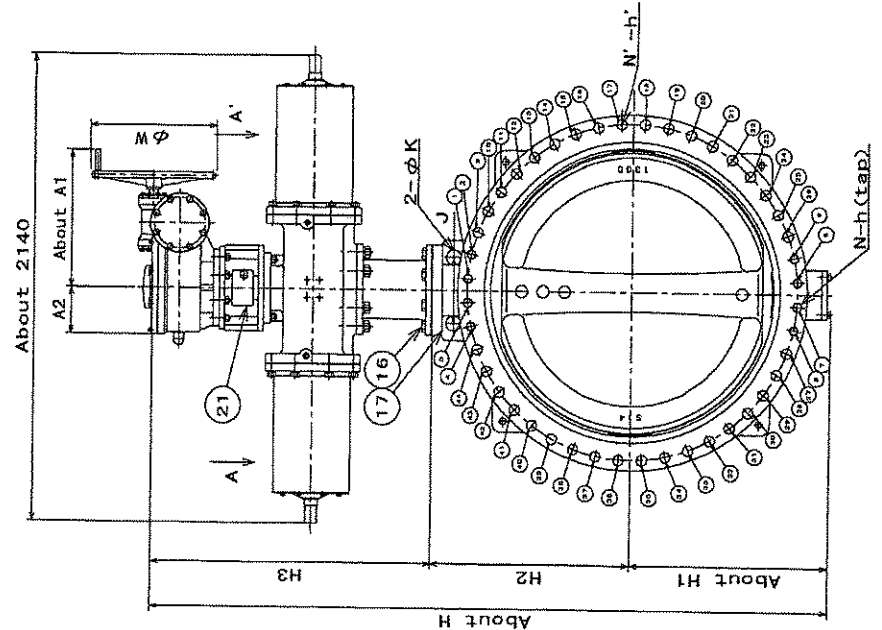
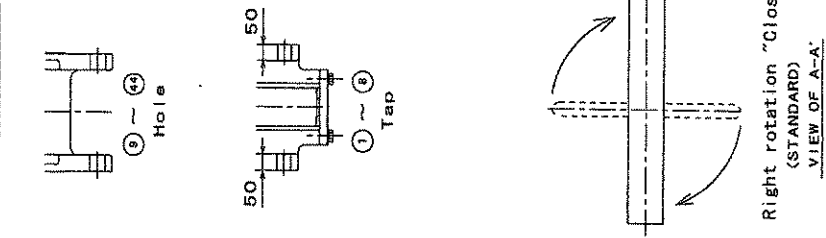
* AHW Class D			
SIZE	C	N	h
1300A	1536.7	8/44	1(3/4)-8UN 36/44 φ.48

SIZE	Tag. No
1300A	01HTF12AA401
	01HTF12AA402
	01HTF12AA403
	01HTF12AA406
	02HTF12AA401
	02HTF12AA402
	02HTF12AA404
	02HTF12AA406

製造 MFG. NO.		MODEL 606F (1300A)	
名称及形式 NAME AND TYPE		BUTTERFLY VALVES WITH WORM GEAR OPERATOR	
番号 NO.	部品名称 PARTS NAME	材質 MATERIAL	数量 QTY
1	BODY	FC250	1
2	DISC	SCS14	1
3	SEAT RING	EPDM	1
4	UPPER STEM	SUS329J1	1
5	LOWER STEM	SUS329J1	1
6	UPPER BUSH	CAC403	1
7	LOWER BUSH	CAC403	1
8	O-RING	EPDM	1set
9	COVER	SS400	1
10	BOLT	SWRGH	4 PLATED
11	THRUST RING	PTFE	1
12	SET PLATE	SS400	1
13	YOKE	SS400	1 +SGP
14	JOINT	SS400	1
15	CYLINDER		1
16	BOLT, NUT	SWRCH	8 PLATED
17	SPRING WASHER	SWRH	8 PLATED
18	STUD BOLT, NUT	SGD SWRCH	8 PLATED
19	SPRING WASHER	SWRH	8 PLATED
20	YOKE	SS400	1
21	JOINT	SS400	1 PLATED
22	GEAR BOX	FC200	1
23	HANDLE WHEEL	FC200	1
24	NECK BUSH	CAC403	1
25	BOLT	SCM	8
日付 DATE	MAR. 25. 2005	尺度 SCALE	FREE
使用压力 WORKING PRESSURE	Max 0.5 MPa	使用温度 WORKING TEMP.	°C
耐压試験 SHELL TEST	0.75 MPa	試流媒体 TEST FLUID	WATER
弁座試験 SEAT TEST	0.55 MPa	許容漏れ LEAKAGE	0 %
作図 DRAWN	検査 CHECKED	承認 APPROVED	
株式会社 オークエーム OKUMURA ENGINEERING CORP.			
図面番号 DRAWING NO.	606F CZ 0956 EA	FLOP. No.	Hc-1an975



PIPING DETAIL



Right rotation "Close"  
(STANDARD)  
VIEW OF A-A

☆ APR. 27. 2005  
☆ MARKS ARE EXTRA

