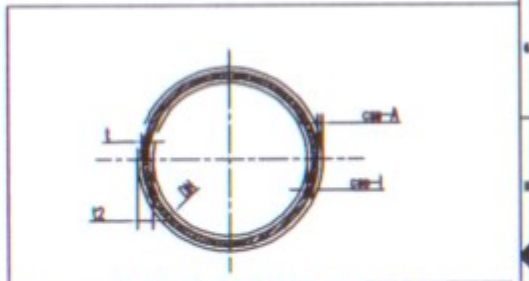


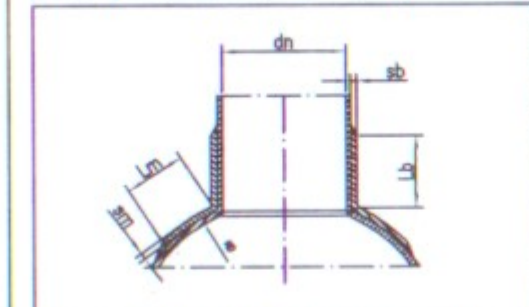
ADDITIONAL LAMINATIONS FOR REDUCTION (mm)				
STRUCTURE				
DN	dn	MEDIA LAYER	OUTER LAYER	mm
300	300	4	4	100
300	250	4	4	100
250	200	4	4	100
200	150	4	4	100



ДЕБЕЛИНА НА ТРЪБАТА ОТ СЪКЛОПЪТ				
DN	Външно обвивка	Минимално подсилян	Външна обвивка	Общо
1200	3,0	8,0	3,0	15,0
1100	3,0	8,5	3,0	14,5
1000	3,0	7,5	3,0	13,5
900	3,0	7,0	3,0	13,0
700	3,0	6,0	3,0	12,0
550	3,0	6,0	3,0	12,0
350	3,0	8,0	3,0	14,0

ДЕБЕЛИНА НА ТРЪБАТА ОТ СЪКЛОПЪТ				
DN	Външно обвивка	Минимално подсилян	Външна обвивка	Общо
350	3,0	8,0	3,0	15,0
300	3,0	9,0	3,0	15,0
250	3,0	14,5	3,0	20,5
200	3,0	14,5	3,0	20,5
155	3,0	14,5	3,0	20,5
150	3,0	14,5	3,0	20,5
100	3,0	8,0	3,0	14,0

TOLERANCES (DIMENSIONAL)		
Manufactured (mm)	Large variations (mm)	Positional Tolerance (mm)
Linear - in mm	±0.10 (0.0039)	±0.10 (0.0039)
Angular - in °	±0.5	±0.5
Planarity - in mm	±0.10	±0.10



TEE LAMINATIONS JOINTS REINFORC. (mm)					
DN	dn	MAIN		BRANCH	
		MEDIA LAYER	OUTER LAYER	MEDIA LAYER	OUTER LAYER
300	100	7	10	7	10
300	100	7	10	7	10
250	100	4	7	4	7
200	100	4	7	4	7
150	100	4	7	4	7

MATERIALS	
Steel	SS 409
Concrete	C25
Reinforcement	A400
Adhesive	3M

PROJECT: INSIGMA M&E ENGINEERING Co. Ltd
 LEVEL: 1-2-3-4-5
 DRAWING NO: 2599201A
 DATE: 06.08.2019
 SCALE: 1:1
 SHEET: 5 of 5